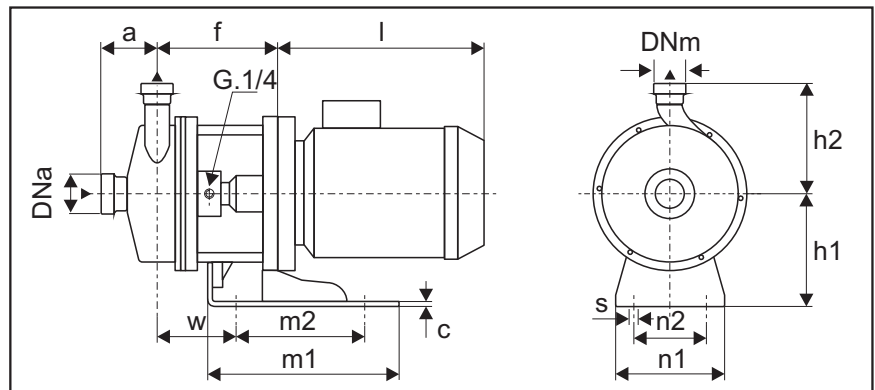
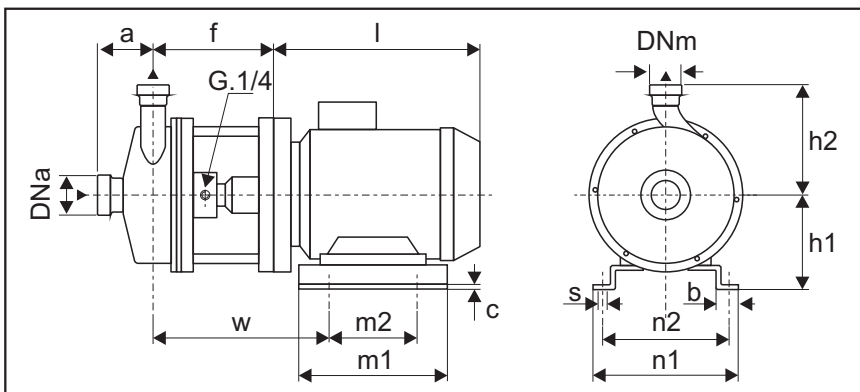


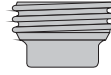
**Fig. 1**

**Fig. 2**

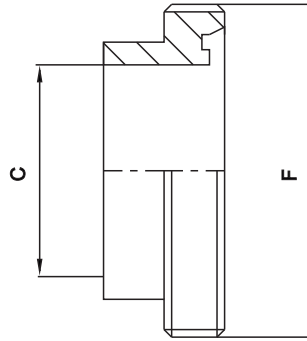


**Fig. 3**





MOTORE ELETTRICO ELECTRIC MOTOR					
Grandezza Size IEC	Potenza in Kw Power in Kw			I <sup>(a)</sup> [mm]	Peso <sup>(a)</sup> Weight [Kg]
	2 Poli 2 Poles	4 Poli 4 Poles	6 Poli 6 Poles		
71	0.37	0.25	0.18	205	5.5
71	0.55	0.37	0.25	205	5.5
80	0.75	0.55	0.37	235	9
80	1.1	0.75	0.55	235	10
90	1.5	1.1	0.75	250	12
90	2.2	1.5	1.1	280	14
100	3	2.2	1.5	300	21
100	-	3	-	300	23
112	4	4	2.2	330	30
132	5.5	5.5	3	400	40
132	7.5	7.5	4	400	45
132	9.2	9.2	5.5	400	52
132	11	-	-	400	60
160	15	-	-	490	85



DIN 11851		
DNa DNm	C	F
25	25,0	52x1/6
32	31,0	58x1/6
40	37,0	65x1/6
50	49,0	78x1/6
65	66,0	95x1/6
80	81,0	110x1/4
100	97,6	130x1/4

Figura Picture	Tipo Type	Motore Elettrico Electric motor IEC	DIMENSIONI - DIMENSIONS [mm]															Peso <sup>(b)</sup> Weight [kg]
			Pompa - Pumps									Piedi - Feet						
			Dna	Dnm	a	f	h1	h2	h3	b	m1	m2	n1	n2	w	c	s	
1	20 08	71	25	25	55	90	71	115	-	35	116	90	142	112	135	10	11	4.5
1		71	"	"	"	90	71	"	-	35	116	90	142	112	135	10	11	4.5
1	25 12	71	32	25	55	84	71	148	102	35	116	90	142	112	129	10	11	5.5
2		80	"	"	"	171	150	"	102	-	235	165	164	130	119	4	10	12
2		90	"	"	"	171	150	"	102	-	235	165	164	130	119	4	10	12
1	32 12	71	50	32	80	86	71	150	102	35	116	90	142	112	131	10	11	7.5
2		80	"	"	"	176	150	"	102	-	235	165	164	130	124	4	10	14
2		90	"	"	"	176	150	"	102	-	235	165	164	130	124	4	10	14
3		100	"	"	"	196	130	"	102	23	250	175	250	230	244	3	10	16
3	32 16	80	50	32	85	184	155	170	-	23	300	220	203	183	174	3	10	20
3		90	"	"	"	184	165	"	-	23	300	220	218	198	193	3	10	20
3		100	"	"	"	204	155	"	-	25	280	200	240	218	237	3	12	22
3		112	"	"	"	204	167	"	-	25	280	200	270	248	244	3	12	22
3		132	"	"	"	224	162	"	-	29	340	220	326	304	269	4	14	27
3	32 20	80	50	32	95	191	155	195	-	23	300	220	203	183	175	3	10	30
3		90	"	"	"	191	165	"	-	23	300	220	218	198	194	3	10	30
3		100	"	"	"	211	155	"	-	25	280	200	240	218	238	3	12	33
3		112	"	"	"	211	167	"	-	25	280	200	270	248	245	3	12	33
3		132	"	"	"	231	162	"	-	29	340	220	326	304	270	4	14	38
1	40 12	71	65	40	73	86	71	150	102	35	116	90	142	112	131	10	11	8.5
2		80	"	"	"	176	150	"	102	-	235	165	164	130	124	4	10	15
2		90	"	"	"	176	150	"	102	-	235	165	164	130	124	4	10	15
3		100	"	"	"	196	130	"	102	23	250	175	250	230	244	3	10	17
3		112	"	"	"	196	142	"	102	23	250	175	280	260	238	3	10	17
3	40 16	80	65	40	73	190	155	170	-	23	300	220	203	183	180	3	10	21
3		90	"	"	"	190	165	"	-	23	300	220	218	198	199	3	10	21
3		100	"	"	"	210	155	"	-	25	280	200	240	218	243	3	12	23
3		112	"	"	"	210	167	"	-	25	280	200	270	248	250	3	12	23
3		132	"	"	"	230	162	"	-	29	340	220	326	304	275	4	14	28
3	40 20	90	65	40	117	191	165	195	-	23	300	220	218	198	196	3	10	31
3		100	"	"	"	213	155	"	-	25	280	200	240	218	240	3	12	34
3		112	"	"	"	213	167	"	-	25	280	200	270	248	247	3	12	34
3		132	"	"	"	235	162	"	-	29	340	220	326	304	272	4	14	39
3	50 16	80	80	50	113	195	155	190	-	23	300	220	203	183	185	3	10	24
3		90	"	"	"	195	165	"	-	23	300	220	218	198	204	3	10	24
3		100	"	"	"	215	155	"	-	25	280	200	240	218	248	3	12	26
3		112	"	"	"	215	167	"	-	25	280	200	270	248	255	3	12	26
3		132	"	"	"	225	162	"	-	29	340	220	326	304	280	4	14	31
3	50 20	100	65	50	92	239	155	215	-	25	280	200	240	218	266	3	12	41
3		112	"	"	"	239	167	"	-	25	280	200	270	248	273	3	12	41
3		132	"	"	"	259	162	"	-	25	340	220	326	304	298	4	14	46
3		160	"	"	"	289	190	"	-	25	340	220	364	342	392	4	14	53
3	65 16	90	100	65	112	195	165	212	-	23	300	220	218	198	204	3	10	25
3		100	"	"	"	215	155	"	-	25	280	220	240	218	248	3	12	27
3		112	"	"	"	215	167	"	-	25	280	200	270	248	255	3	12	27
3	65 20	100	80	65	120	248	155	240	-	25	280	200	240	218	275	3	12	39
3		112	"	"	"	248	167	"	-	25	280	200	270	246	282	3	12	39
3		132	"	"	"	268	162	"	-	29	340	220	326	304	307	4	14	44

Quote e pesi suscettibili di variazione.  
Dimensions and weights are subject to variations.

<sup>(a)</sup>Quota indicativa può variare in funzione della marca del motore  
Not binding dimension that can change according to motor brand

<sup>(b)</sup>Peso senza motore elettrico